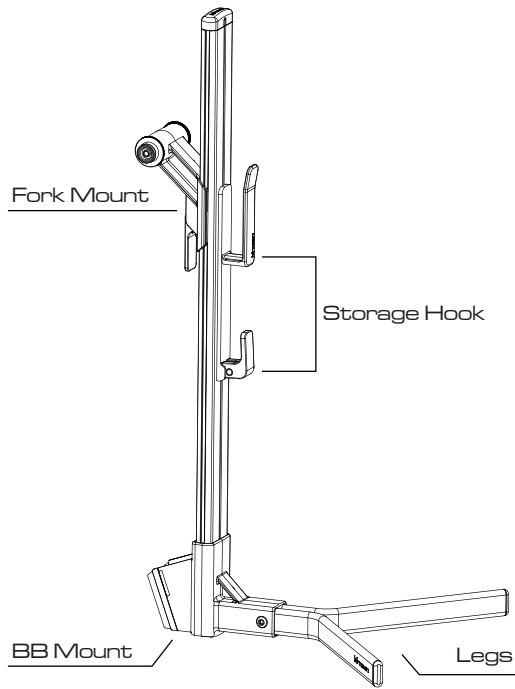
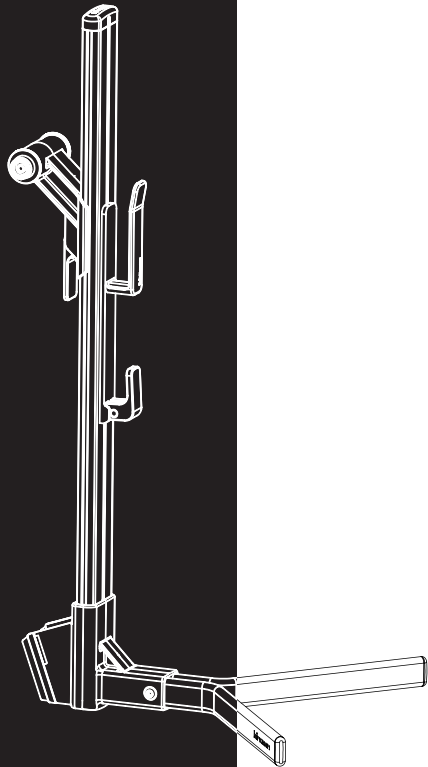
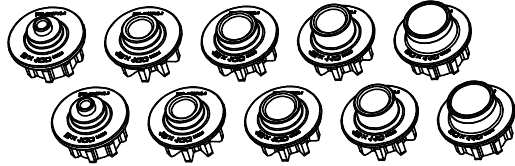


BM20-FX-STAND

FEEX STAND



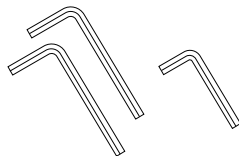
Parts included



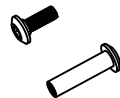
End caps x 5 sets :
Ø5x100/12x100/15x100/15x110/20x110 mm



Velcro strap x 1

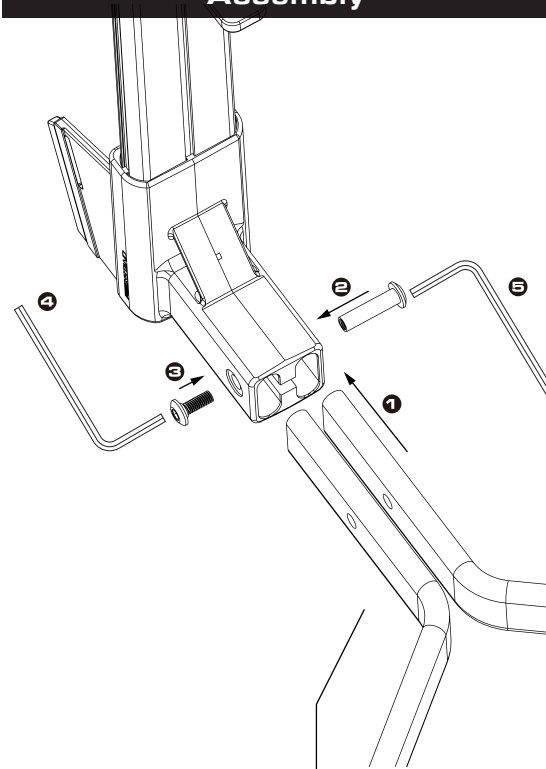


Hex wrenches x 3 :
5 mm x 2 & 2.5 mm x 1

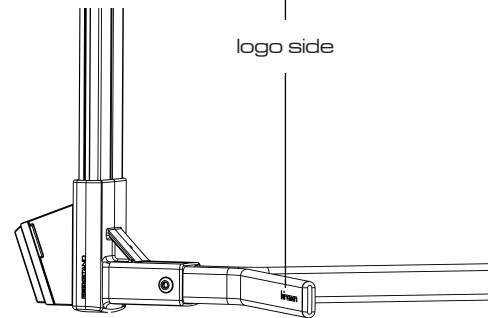


5 mm hex bolt set

Assembly



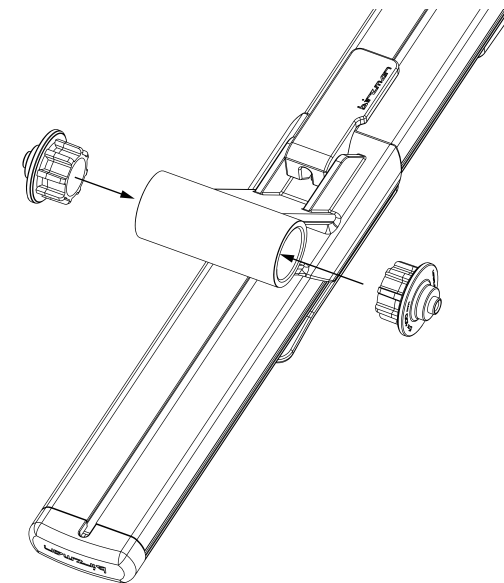
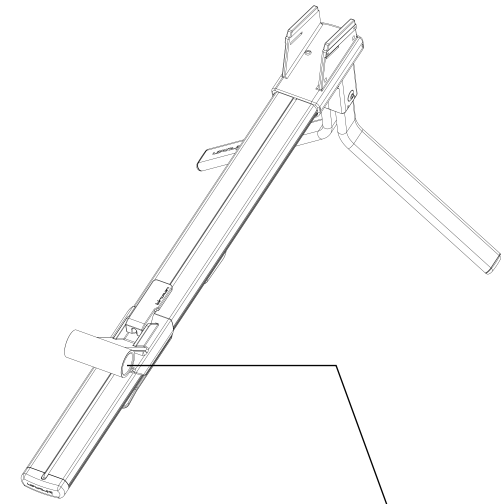
logo side



1 Attach the Legs to the designated slots, being mindful of the direction of the Birzman logo.

2 & 3 Insert the 5 mm hex bolt set from left and right.

4 & 5 Tighten the bolts to approx. 4 Nm using the 5 mm hex wrenches.

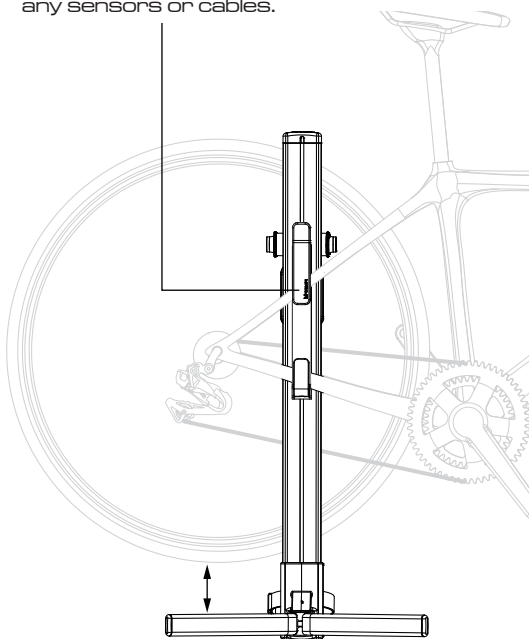
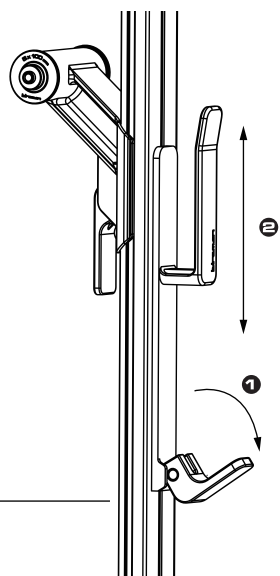


Select the appropriate end caps and attach to the sides of the fork mount.

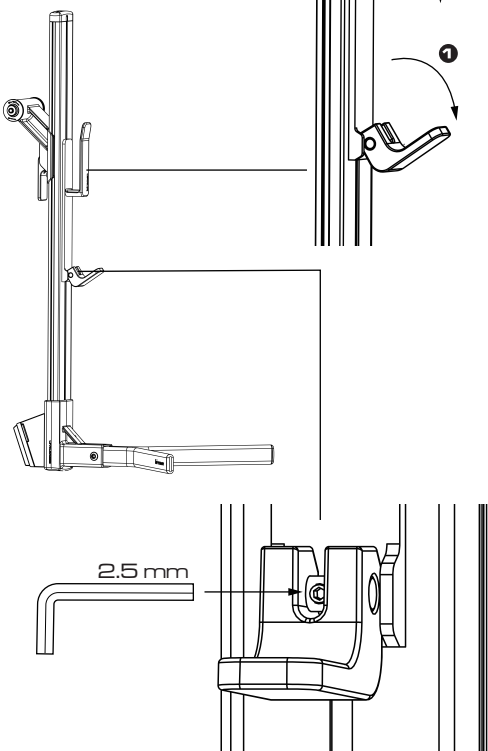
Patent
Taiwan 1695793

Storage Stand

Max. load : 25 kg / 55 lbs
Place the seat stay and chain stay onto the Storage Hook simultaneously.
Ensure that there are no interference with any sensors or cables.

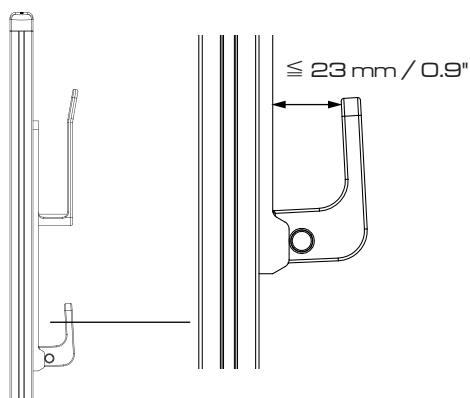


The rear wheel should be lifted to an appropriate height above the legs of Feexstand.



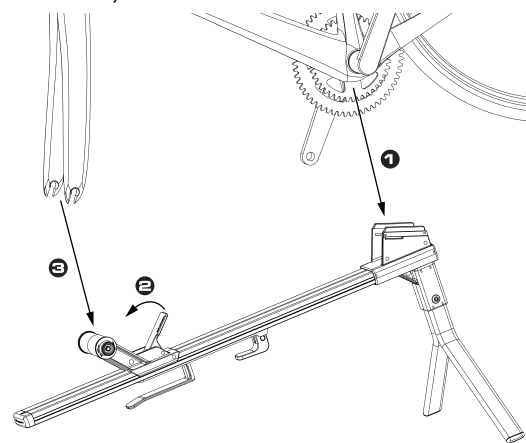
If the Storage Hook has come loose, slightly tighten the bolt of the QR lever with the 2.5 mm hex wrench.

- Overtightening may lead to immobility of the lever and damages to the parts.



Repair Stand

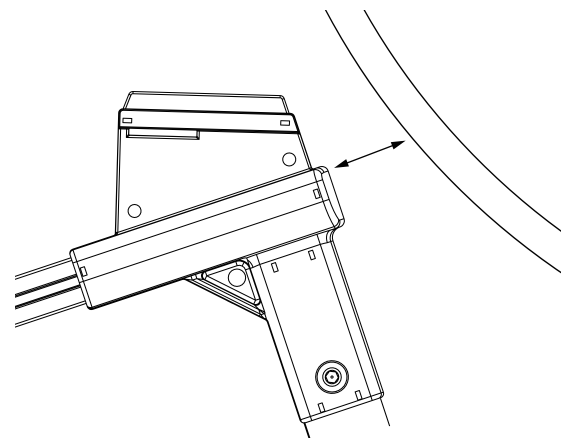
Max. distance from front axle to BB :
77.5 cm / 30.5\"/>



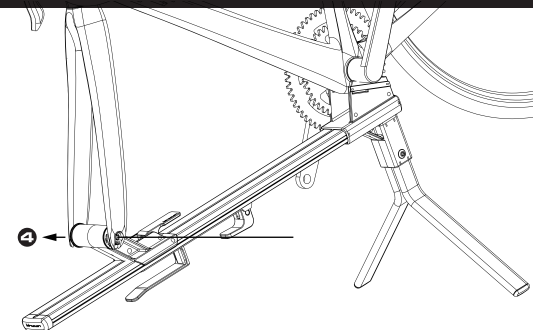
1 Place the bottom bracket shell onto the BB Mount.

2 Loosen and release the QR lever; adjust the Fork Mount to a suitable position and tighten the lever to secure.

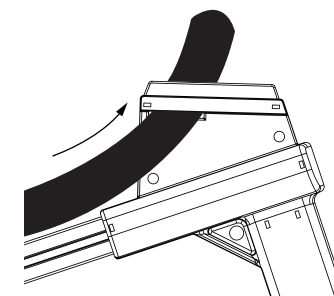
3 Attach the fork dropouts onto the Fork Mount.



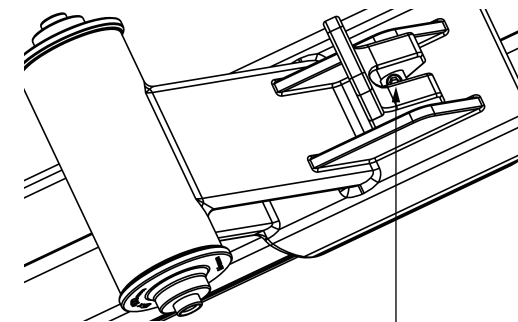
Make sure Feexstand is not in interference with rotation of the rear wheel.



4 Insert axle through the Fork Mount and tighten to secure the fork.



5 Insert Velcro strap through the slot on the BB Mount and wrap it around the frame for extra stability.



If the Fork Mount has come loose, slightly tighten the bolt of the QR lever with the 2.5 mm hex wrench.

- Overtightening may lead to immobility of the lever and damages to the parts.

Note:

- Please ensure the bike is properly secured onto Feexstand, and all QR levers are tightened before carrying out any repair and maintenance work.
- Hold tightly on to the bike when removing it from Feexstand.