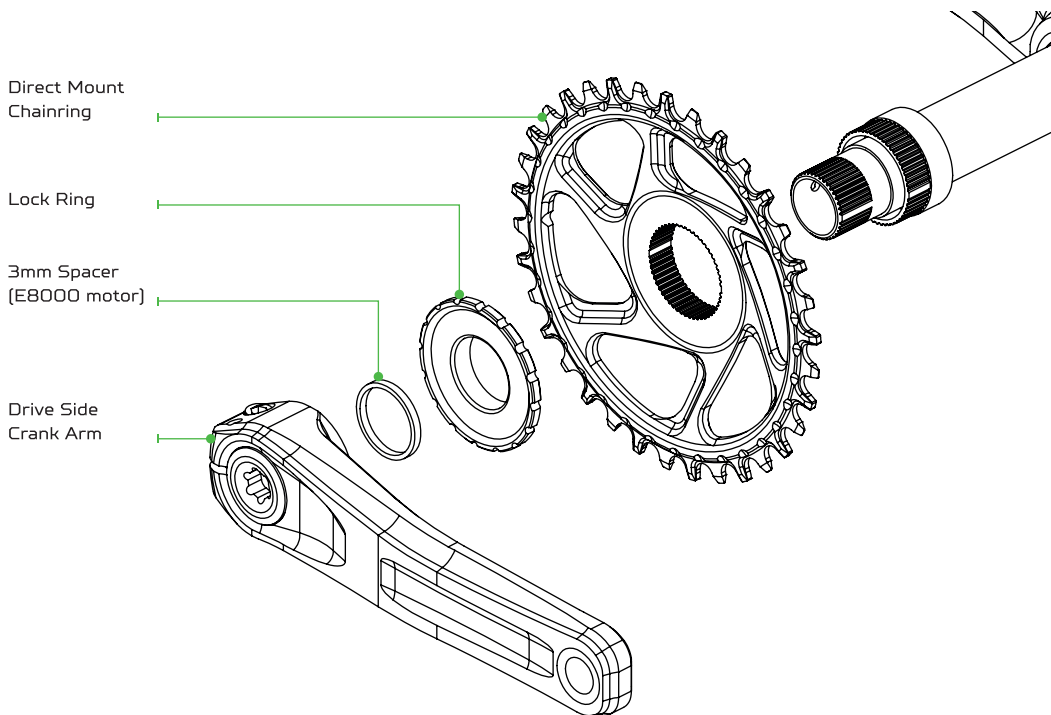


## SPIDERLESS CHAINRING RR: E-BIKE SH



### INSTALLATION

- This chainring is compatible with the **Shimano E8000** motor.
- Hope chainring is direct fit for a **52mm BOOST** chain line.
- Please refer to the relevant manufacturer instructions for removal and installation of cranks and spiders/chainrings.
- This exploded view is provided as an assembly reference.
- Shimano Tool TL-FC39 or equivalent is required for removal/installation of the spider locking.

INST015\_EN: Instruction - Ebike spiderless chainring SH - V1

HOPETECH.COM



**E.BIKE**  
CHAINRINGS

[ E.BIKE SH VERSION ]