



**WOLF  
TOOTH®**

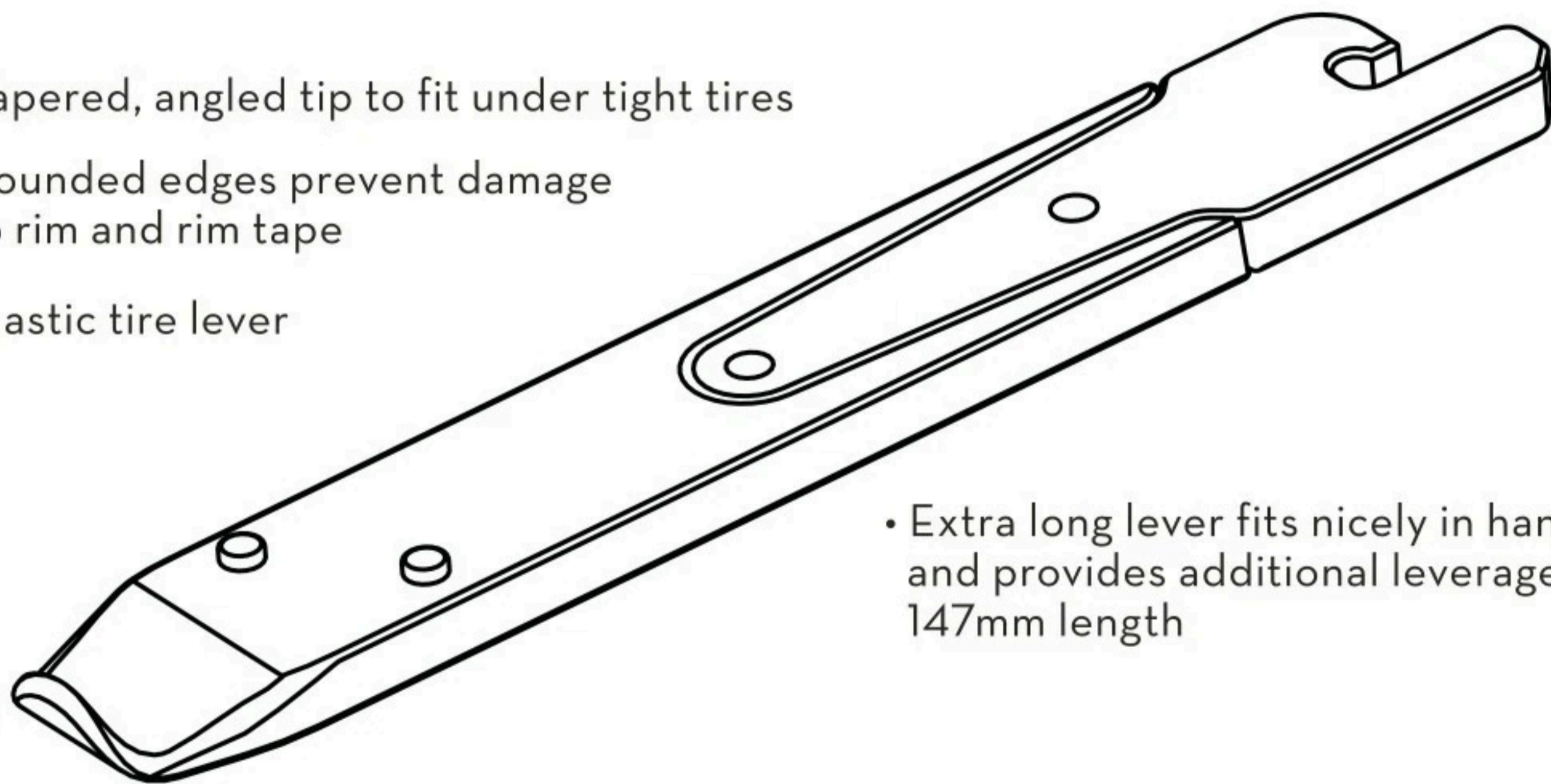
**MULTI-TOOL**

# 8-BIT TIRE LEVER + RIM DENT REMOVER

Tire levers help you to pry off tires by sliding under the bead of the tire, then gently bringing that bead over and off the rim of the wheel. The high-strength plastic lever slips under the tire and removes tires easily without slipping out from metal or carbon rims.

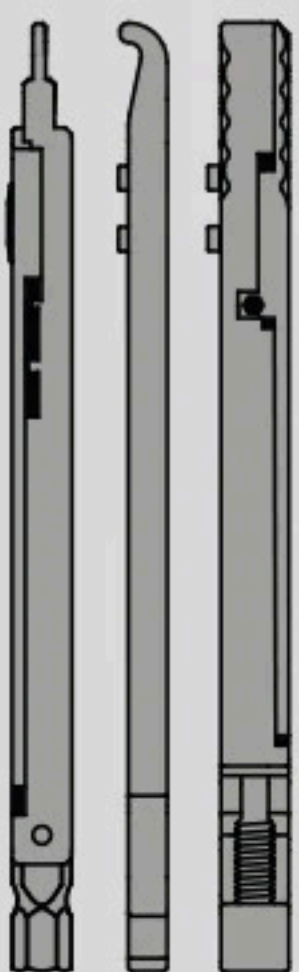
On the other side of the multi-tool, the machined aluminum rim dent remover perfectly fits over the lip of metal rims for repairs.

- Tapered, angled tip to fit under tight tires
- Rounded edges prevent damage to rim and rim tape
- Plastic tire lever



• Rim dent remover

- Extra long lever fits nicely in hand and provides additional leverage 147mm length



## STACKABLE MULTI-TOOLS

Use alone or stack with the **8-Bit Pack Pliers** and **8-Bit Chainbreaker + Utility Knife** multi-tools. (Other tools not included)

Magnets and pins hold the multi-tools together when stacked.