

# 2014 AM STEM - INSTRUCTIONS

## Product specifications :

Handlebar clamp diameter :  $\varnothing 31.8\text{mm}$  only

Length : 35mm / 50mm

Rise :  $0^\circ$

**Tools:** 4mm allen key, torque wrench

## Before you start :

The stem is only designed for **1 1/8" ( $\varnothing 28.6\text{mm}$ )** steerer tubes. Ensure that the steerer is cut cleanly and level and any burrs (inside and out) are removed. The stem should sit, once installed, on top of all headset parts and spacers, so that the steerer tube is approximately **2 to 3mm** below the top of the stem. This is equivalent to 37mm to 38mm of clear space on the steerer tube above all headset parts and spacers (**see Figure A and B**).

Ensure the steerer tube and handlebar clamp areas are both clean and dry (no grease!)

It is also advisable to remove all bolts from the stem and apply a small amount of grease to the threads and under the head of the bolt. **If you are fitting Titanium bolts, it is preferable to use copper slip grease or Ti-Prep to avoid seizing.**

## Installation :

Making sure the stem body built in collar is facing up, slide the stem onto the steerer tube and push down until it touches the spacers. If not already done, at this stage, it will be necessary to undo the steerer tube bolts to allow the stem to slide freely onto the tube..

Install the top cap and compression bolt of the head doctor (or other adjustment device) as per manufacturer's specifications (typically preload the headset bearings until all play is removed but rotation is still smooth). (**see Figure B**)

Re install the 2 greased steerer tube clamp bolts and slightly tighten them. When you are happy with the stem orientation (making sure the stem is in line with the front wheel!), tighten the steerer tube bolts to **7-8 Nm**, alternating between the two bolts to ensure even clamping until torque setting is achieved (**see Figure C**).

Note: To help to align the stem, the bars could be put in place and slightly tightened at this stage.

Install the handlebar and position the handlebar clamp. **Install first the 2 top clamp bolts** (previously greased) and slightly tighten them.

When you are satisfied with the handlebar position, tighten the 2 top clamp bolts to **6-7 Nm**. Alternate between the 2 bolts when tightening until torque setting is achieved. There should be an assembly gap at the bottom of the plate. Install the 2 bottom clamp bolts and tighten them alternatively to **6-7 Nm**. (**see Figure D**).

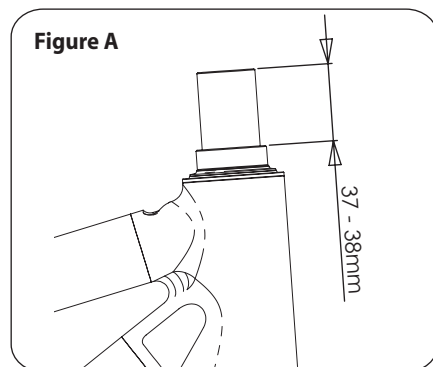


Figure A

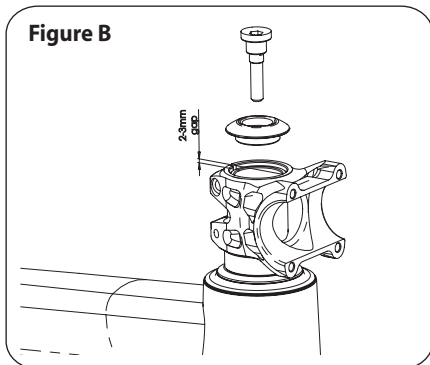


Figure B

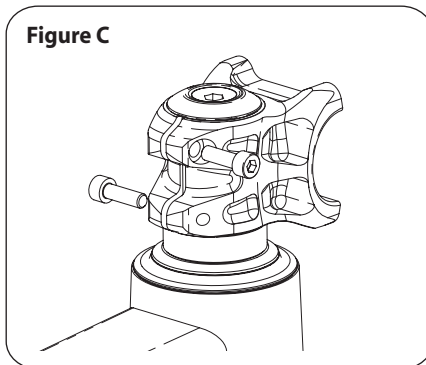


Figure C

(2x) M5 x 16mm: 7-8 N.m

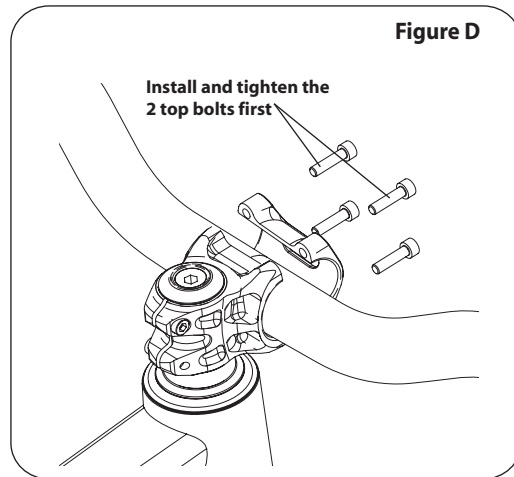


Figure D

(4x) M5 x 20mm: 6-7 N.m

## Note :

All CrMo Steel bolts used in the stem are 10.9 DIN grade. Do not substitute them for lower strength bolts.

You can use one of Hope's Ti bolt upgrade. Ti bolts are Ti 6Al 4V and custom made for Hope stems. Do not use any lower strength bolts.

Do not use shorter bolt length than the one specified here. Full thread engagement is required.

## Maintenance :

Periodically check the hardware for tightness. Be careful not to over-tight the bolts !

Periodically regrease hardware using appropriate grease.

Regularly inspect all parts of the stem for damage and cracks, especially after any big crash !

## Warranty :

All Hope Technology stems are covered for two years from original date of purchase against manufacturer defects in material and workmanship. Proof of purchase is required. Products must be returned to the original place of purchase or to Hope Technology to process any warranty claim.

This warranty does not cover any damage caused through mis-use or failing to comply by the recommendations given in this manual.

This warranty does not affect your statutory rights.