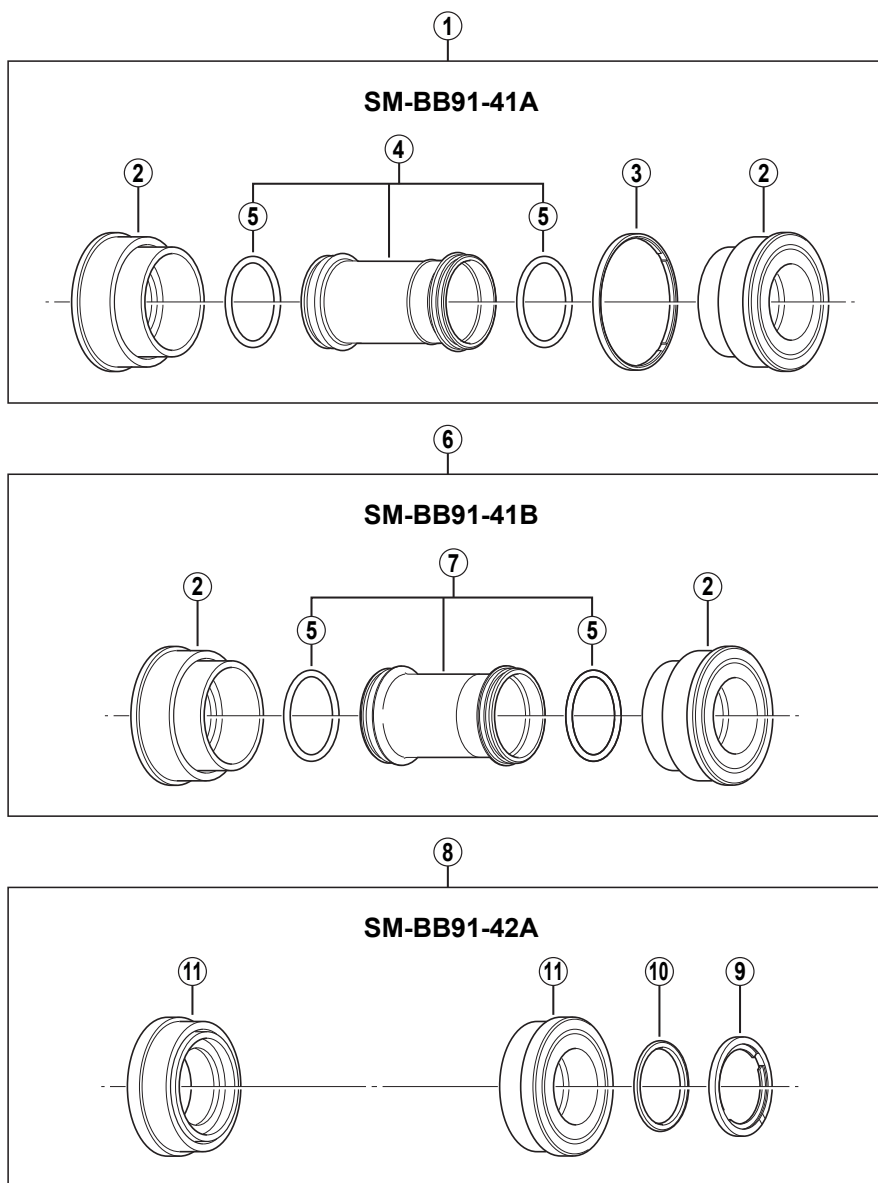


Bottom Bracket for Press-Fit SM-BB91



ITEM NO.	SHIMANO CODE NO.	DESCRIPTION
1	I-SMBB9141A	SM-BB91-41A Adapter Unit
2	Y-1L9 98010	Adapter for SM-BB91-41A / 41B
3	Y-1GS14000	Spacer (2.5 mm) for Adapter
4	Y-1E5 98210	Inner Cover & O-Ring for SM-BB91-41A
5	Y-1TF 21000	O-Ring
6	I-SMBB9141B	SM-BB91-41B Adapter Unit
7	Y-1F3 98220	Inner Cover & O-Ring for SM-BB91-41B
8	I-SMBB9142A	SM-BB91-42A Adapter Unit
9	Y-1L9 02000	Spacer (2.5 mm)
10	Y-1F3 16000	Ring
11	Y-1L9 98020	Adapter for SM-BB91-42A

Jul.-2009-2987
© Shimano Inc.

Specifications are subject to change without notice.

SHIMANO